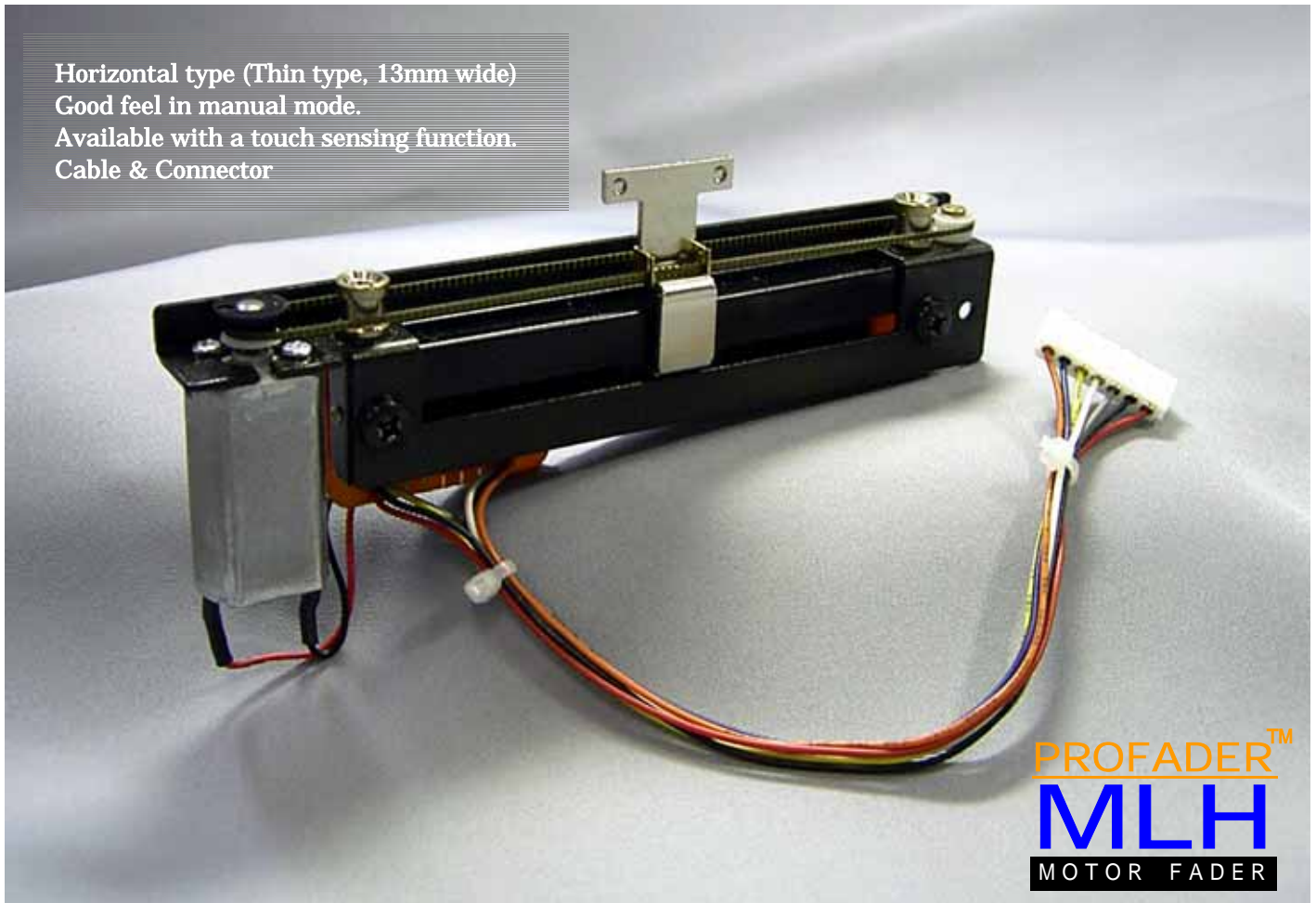


Horizontal type (Thin type, 13mm wide)  
 Good feel in manual mode.  
 Available with a touch sensing function.  
 Cable & Connector



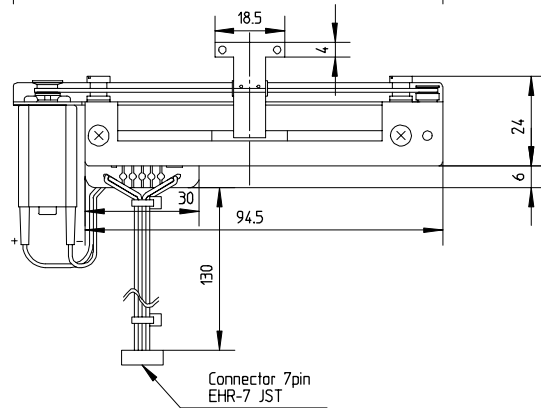
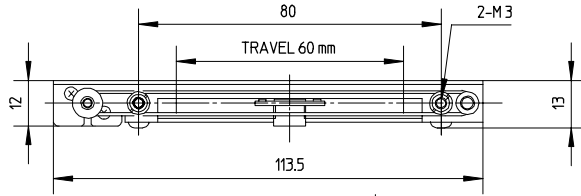
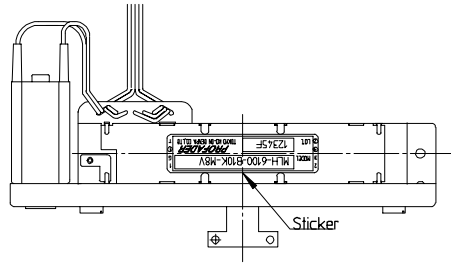
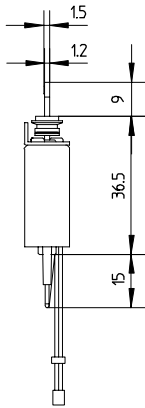
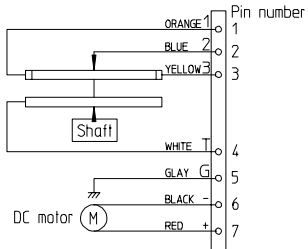
RoHS compliant

MODEL		MLH-6100-B10K-M8V	MLH-1100-B10K-M8V
Construction	Travel	60 ± 1mm	100 ± 1mm
	Mounting centers	80mm(M3)	120mm(M3)
	Cable length	130 ± 5mm	
	Connector	7pin(EHR-7 JST)	
	Mass	75g MAX	90g MAX
Electrical performance	Number of resistor element	Single unit	
	Total resistance	10K	
	Total resistance tolerance	± 20%	
	Resistance taper	B : Linear taper(servo track)	
	Touch sence track	with	
	Linearity	± 5%	
	Ratings power	0.2W	
	Motor response time	80msec.MAX	100msec.MAX
8V DC motor Motor performance	Operating voltage	DC 5 ~ 11V	
	Starting current	500mA. MAX	
Mechanical performance	Operating force	0.05 ~ 0.4N [5 ~ 40gf]	
Durability	Operating temp.range	-10 ~ +60	
	Storage temp.range	-20 ~ +80	
	Sliding life	100,000 cycles min.	

A specification and an outward appearance are sometimes changed without the previous announcement to improve. Understand beforehand.

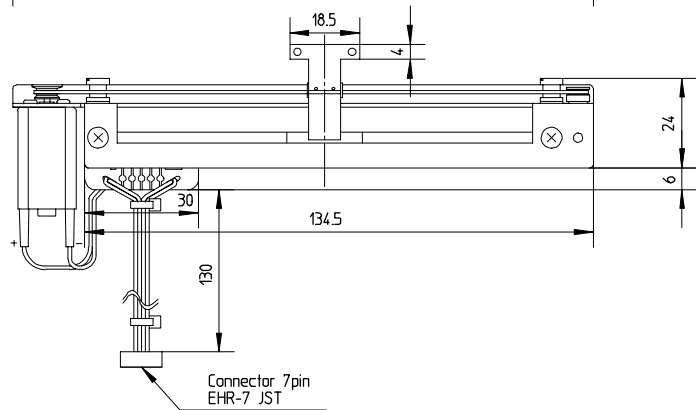
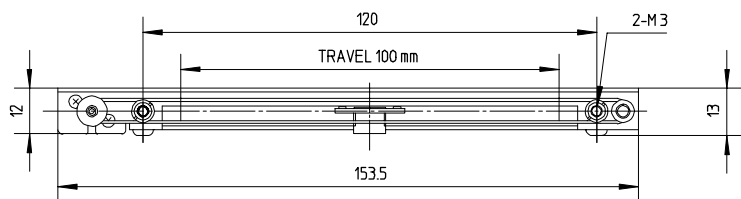
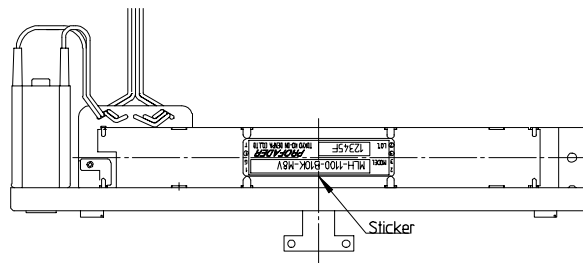
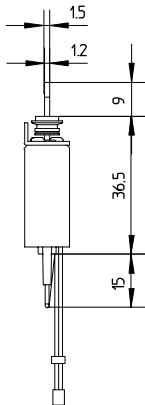
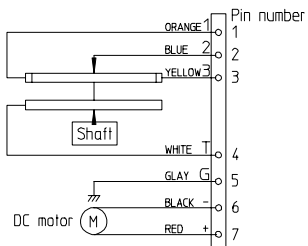
2007.10.

Circuit diagram and terminals



MLH-6100-B10K-M8V

Circuit diagram and terminals



MLH-1100-B10K-M8V