

FA-9100 Series

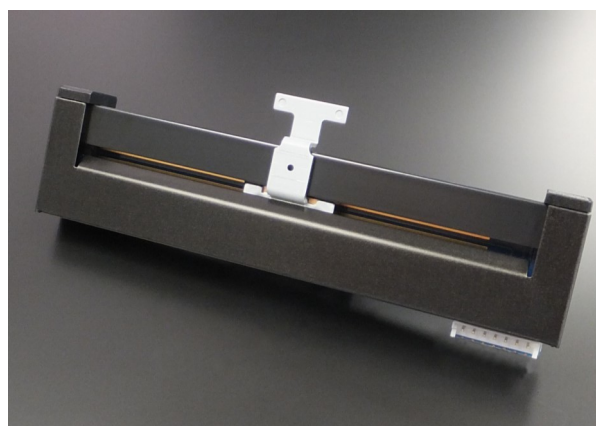
PROFADER™

Au-plated contact materials

Excellent stability.

Multiple contact

For accurate adjustment (51 positions).
For reproducible necessary operation.

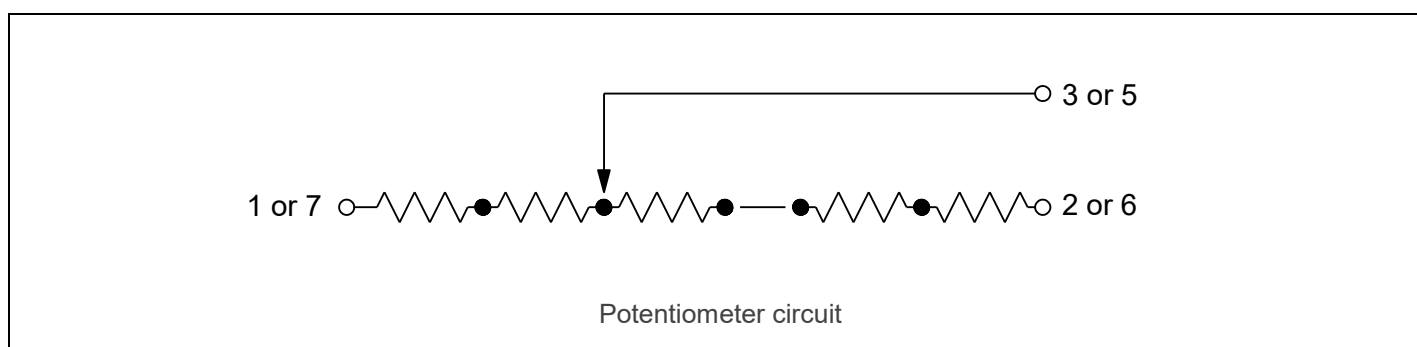


Model number

FA-910 **1** **C** - **UNC** - **10K**
 *1 *2 *3 *4 *5

*1	Product number and Travel	FA-910: 100mm
*2	Control-bar length (Please see dimension "L".)	1: 9mm 2: 11mm
*3	Operating force	Blank: Standard C: High operating force *Only "High type" with CP-1 or CP-2 is applicable for the vertical use.
*4	Mounting threads	Blank: M3 UNC: 4-40UNC
*5	Total resistance	10K: 10kohm

Circuit method (Unbalanced)



Output Law

Position (2mm step)	0 - 80mm	82mm - 90mm	92mm - 98mm	100mm
Attenuation	0, 2, 4,, 36, 38, 40 (1dB step)	42, 44,, 48, 50 (2dB step)	55,, 70 (5dB step)	Cut off

Electrical specifications

	FA-9100 Series
Circuit method	Potentiometer (stepped)
Number of circuit	2 (Standard)
Total resistance (1-2,7-6)	10kohm
Total resistance tolerance	±3%
Attenuation (Load: high)	0, 1, 2, 3, ...(1dB step)...., 40, 42, 44, 46, 48, 50, 55, 60, 65, 70, cut off
Attenuation accuracy (Load: high)	0~20dB: ±0.2dB ~30dB: ±0.4dB ~40dB: ±0.6dB
Matching accuracy	0~20dB: 0.5dB ~30dB: 0.7dB ~40dB: 1.0dB
Insertion loss	0.5dB or less
Cut off (15kHz)	90dB Min.
Voltage proof	1 Min. at AC100V
Insulation resistance	50Mohm or more at DC250V
Max rating	0.1W
Sliding life	200,000 Cycles Min. (18cycles/min, Insertion loss: 1dB or less)
Connector (7pin)	B7B-EH (JST)

Mechanical specifications

	FA-9100 Series
Stroke length	100mm±0.5mm
Operating force	0.1~0.3N (Standard), 0.2~0.4N (High operating force)
Mechanical clicks	Without
Strength of Nut-Attached	100Ncm
Attached Parts	M3 screw / 4-40UNC screw (Length: Panel thickness + 3mm)
Stopper strength	50N
Push-pull strength	40N
Alignment to the center	±0.5mm (State not to pressure control-bar, Measurement position: Mounting surface)

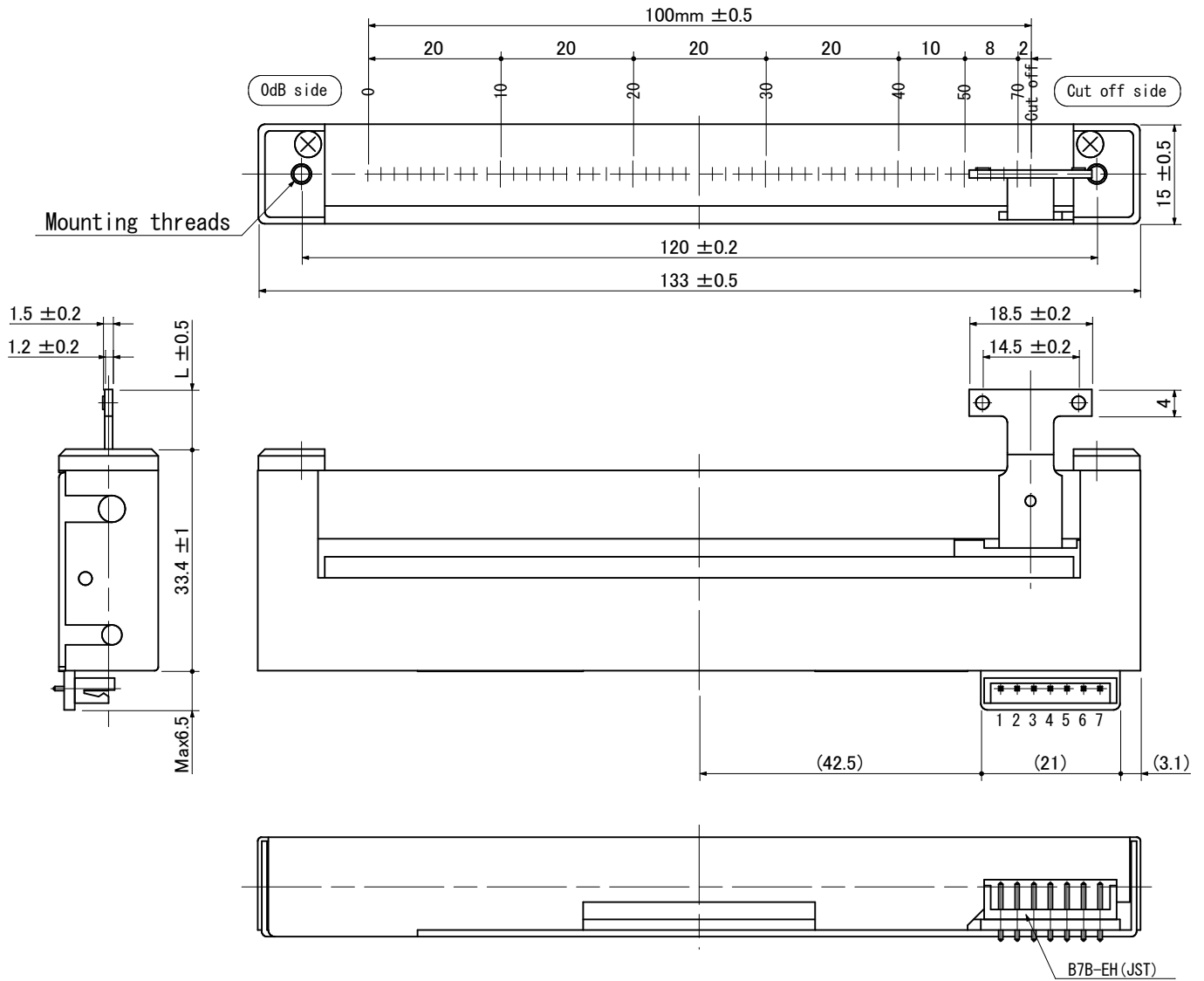
General specifications

	FA-9100 Series
Temperature range	-10 to +70 degrees C (Operating), -15 to +75 degrees C (Storage)
Relative humidity	90%RH (No condensation)

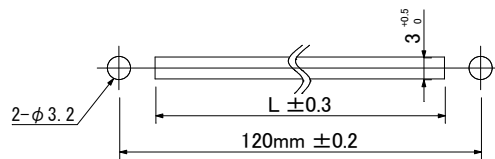
Note

- * Some slide sound: Because it uses the metal point of contact.
- * The operation touch: Feel the touch of the point of contact change.
- * Volume variableness: Becomes the step variableness.
- * Move to one end in Control-bar on the occasion of knob wearing, and can break into it slowly.
- * It is highly recommended that the fault tolerant system is to be set up in the big situation like the live broadcast.
- * High impedance: Infinity. (or more than 20 times of total resistance)

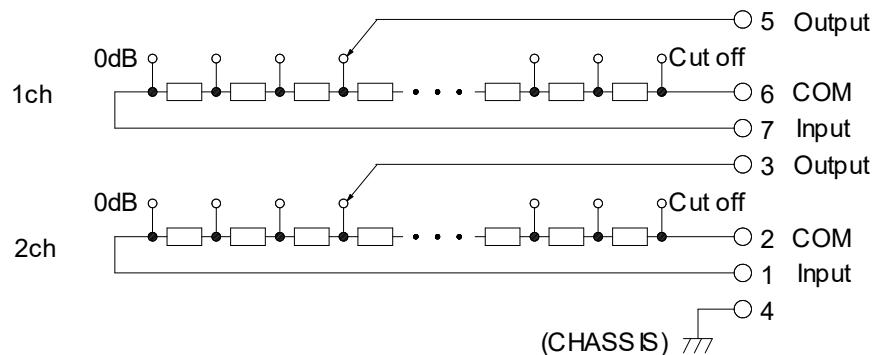
Dimensions



Panel cut out dimensions



Circuit diagram and terminations



The products and their specifications are subject to change without notice.