

36R-KIT Series

ATTENUATOR

Kit type

Solder it by yourself, and to assemble.

Used the resistor of 0.5W

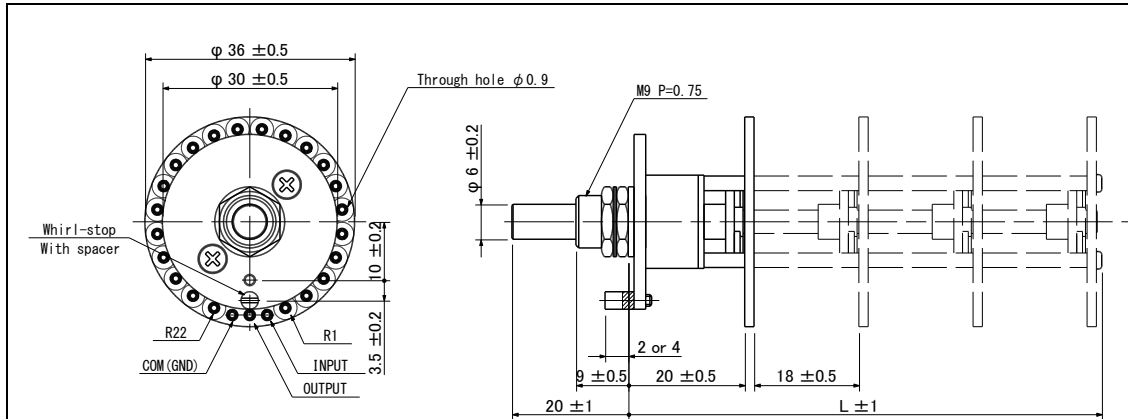
Can attach a resistor of the 0.5W size.

Au-plated contacts

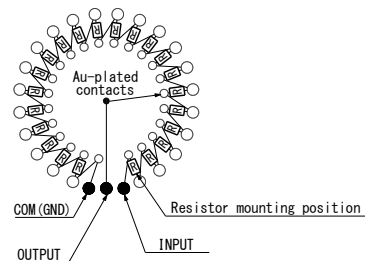
Low contact resistance



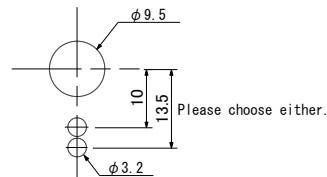
Dimensions



Terminations



Panel cut out dimensions



The position of the whirl-stop can be changed easily by removing with the flat-head screwdriver.

There is a spacer for the whirl-stop extension. When you are unnecessary, please take it off.

Number of Wafers	L [mm]
1	22.5
2	42.1
3	61.7
4	81.3

Model number

36R-KIT - 2

Product type

Number of circuits (Number of wafers)

- 1: Single circuit
- 2: 2 circuits
- 3: 3 circuits
- 4: 4 circuits

- 10K

Total resistance (Select resistor set)

- 10K: With 10kohm resistor set
- 50K: With 50kohm resistor set
- 100K: With 100kohm resistor set
- Blank: Without resistor set

Electrical specifications (* Here is the general spec of the attenuator after assembling.)

36R-KIT Series	
Circuit method	Potentiometer
Attenuation	0, 2, 4, 6, ... (2dB step) ..., 30, 33, 36, 40, 45, 50, 60, Cut off
Attenuation accuracy	±0.5dB
Max attenuation	60dB ± 0.5dB
Cut off	80dB Min.
Matching accuracy	0.5dB or less (0dB - 60dB)
Number of circuit	Max. 4
Total resistance	10kohm, 50kohm, 100kohm ±3%
Insertion loss	0.3dB or less
Input level	Max. 0.5W
Frequency range	DC ~ 20kHz
Voltage proof	1 Min. at AC250V
Insulation resistance	100Mohm or more at DC500V
Rotational life	30,000 Cycles Min. (18cycles/min, Attenuation accuracy: ±1dB or less)

Mechanical specifications

36R-KIT Series	
Operating angle	330degrees ±2degrees
Step angle	15degrees ±1degrees
Strength of nut-attached	50Ncm
Attached parts	Hexagonal nut (M9)
Stopper strength	50Ncm
Push-pull strength	50N

Other specifications

36R-KIT Series	
Temp. range	-10 to +70 degrees C (Operating), -15 to +75 degrees C (Storage)
Relative humidity	90%RH (No condensation)

Note

- * This is an assembly kit.
- * We can only guarantee the rotary switch and the CM1/2 resistors before assembling.
- * Temperature spec: for 3 sec at 390degrees C (or for 5 sec at 350degrees C). You can apply heat up to twice. Do not subject it to heat long time, as the components may be damaged.
- * Please take care during soldering that the smoke from the solder does not flow inside a switch.
- * Do not give severe shocks.
- * We can not accept the request for the customized spec.
- * The size of a resistor you can use for the rotary switch is φ4 or less. (The lead wire is less than φ0.9.)
- * To prevent troubles, please be sure to check and confirm the resistance value and the attenuation after assembling.
- * When you would like to use for educational purposes, please contact us beforehand.
- * Please make sure that children will assemble under the parental guidance.

The products and their specifications are subject to change without notice.

TOKYO KO-ON DENPA CO., LTD. www.tkd-corp.com EDK-201704