

## TBX-2000

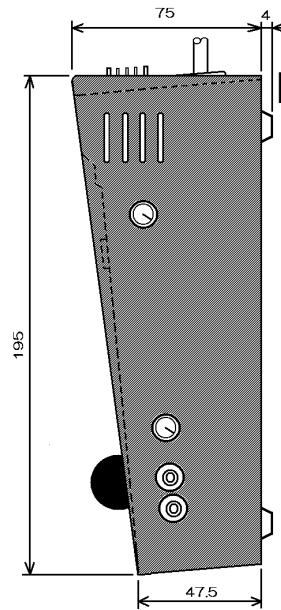
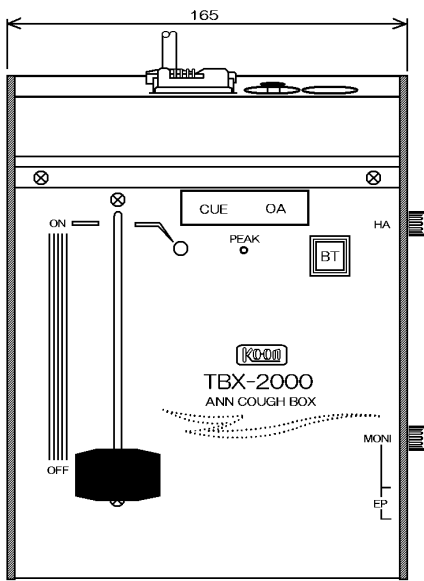


TBX-2000 : High quality 100mm stroke vertical fader equipped  
HA Gain controlling devices equipped

TBX-2000F: ON AIR tally, CUE tally and Back talk function are added  
to TBX-2000.

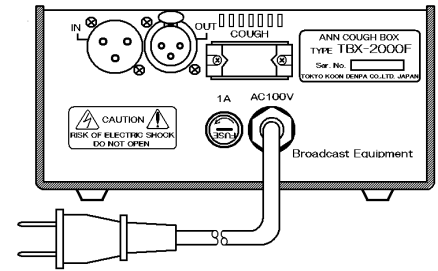
TBX-2000H: The equipment with 48V phantom power supply available  
is added to TBX-2000F.

TBX-2000T: Fader of TBX-2000H is changed to T bar fader



## Dimensions

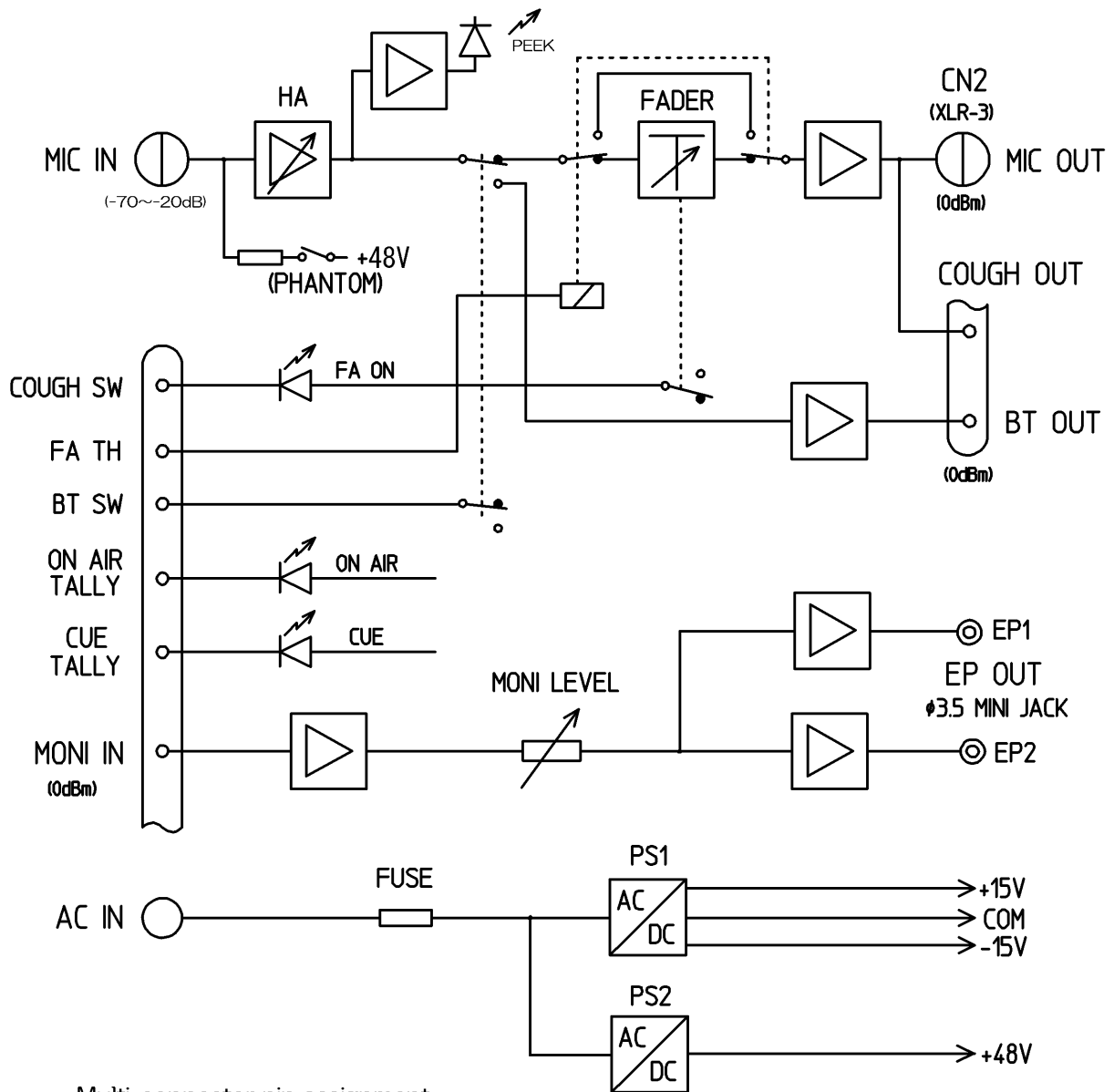
## Rear panel



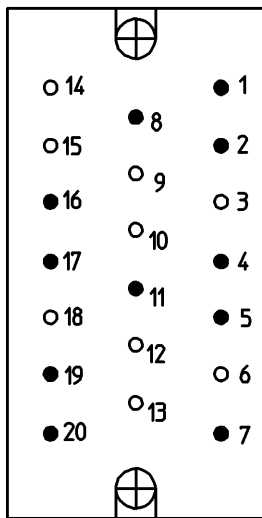
## Specifications

Transmission frequency range	20Hz ~ 20KHz
Voltage amplification characteristics	1KHz, $\pm 0.5$ dB 20Hz ~ 20KHz : +0/-1.0dB
Input impedance Microphone Input Monitor input	Without transformer fit for 600 ohms balanced Without transformer 10K ohms, balanced
Input level Microphone Monitor	-70dBm to -20dBm continuously variable 0dBu
Output impedance Microphone Monitor	Without transformer balanced fit for 600 ohms load Impedance fit for headphone of about 30 ohms, (mono)
Output level Microphone Monitor	0dBm $\geq 0.1$ W at about 30 ohms load
Maximum output level	+24dBm
Max attenuation	$\geq 100$ dB (TBX2000) $\geq 80$ dB (TBX2000F)
Total higher harmonic distortion	$\leq 0.3\%$ at 0dB $\leq 0.5\%$ at 22dB up
S/N ratio	52dB at input of -70dBm 62dB at input of -60dBm
Power supply	AC100V 50/60Hz
Measurement	165W x 79H x 195D
Weight	1.5Kg(TBX-2000F)

# TBX-2000H/T ANN COUGH BOX BLOCK DIAGRAM



Multi-connector pin assignment



- 1 MONI IN HOT
- 2 MONI IN COLD
- 8 MONI IN GND
- 4 COUGH OUT HOT
- 5 COUGH OUT COLD
- 11 COUGH OUT GND
- 12 BACKTALK OUT HOT
- 13 BACKTALK OUT COLD
- 6 BACKTALK OUT GND
- 10 NC

- 9 BT SW NO
- 3 BT SW COM
- 7 FADER THROUGH
- 14 ON AIR LED
- 15 CUE LED
- 17 FA UP SW NO
- 18 FA SW COM
- 19 FA DOWN SW NO
- 16 NC
- 20 NC