

Electrical specifications

	CFX-45L
Circuit (Unbalanced)	2 (Standard)
Total resistance (1-3)	10kohm , 50kohm
Total resistance tolerance	±20%
Taper	Linear taper (Potentiometer circuit)
Linearity	±5%
Residual resistance	5ohm or less
Voltage proof	1 Min. at AC100V
Insulation resistance	50Mohm or more at DC250V
Max rating	DC20V (0.1W)
Sliding noise level	47mV or less (by JIS C 6443)
Sliding life	100,000 Cycles Min. (18cycles/min, Sliding noise level: Less than 100mV)
Connector (6pin)	S6B-EH (EH Series: J.S.T.MFG.CO.,LTD.)

Mechanical specifications

	CFX-45L Series
Stroke length	45mm±0.5mm
Operating force	0~0.2N
Strength of Nut-Attached	100Ncm
Attached Parts	M3 screw (Length: Panel thickness + 3mm)
Stopper strength	40N
Push-pull strength	40N
Alignment to the center	±0.5mm (State not to pressure control-bar, Measurement position: Mounting surface)

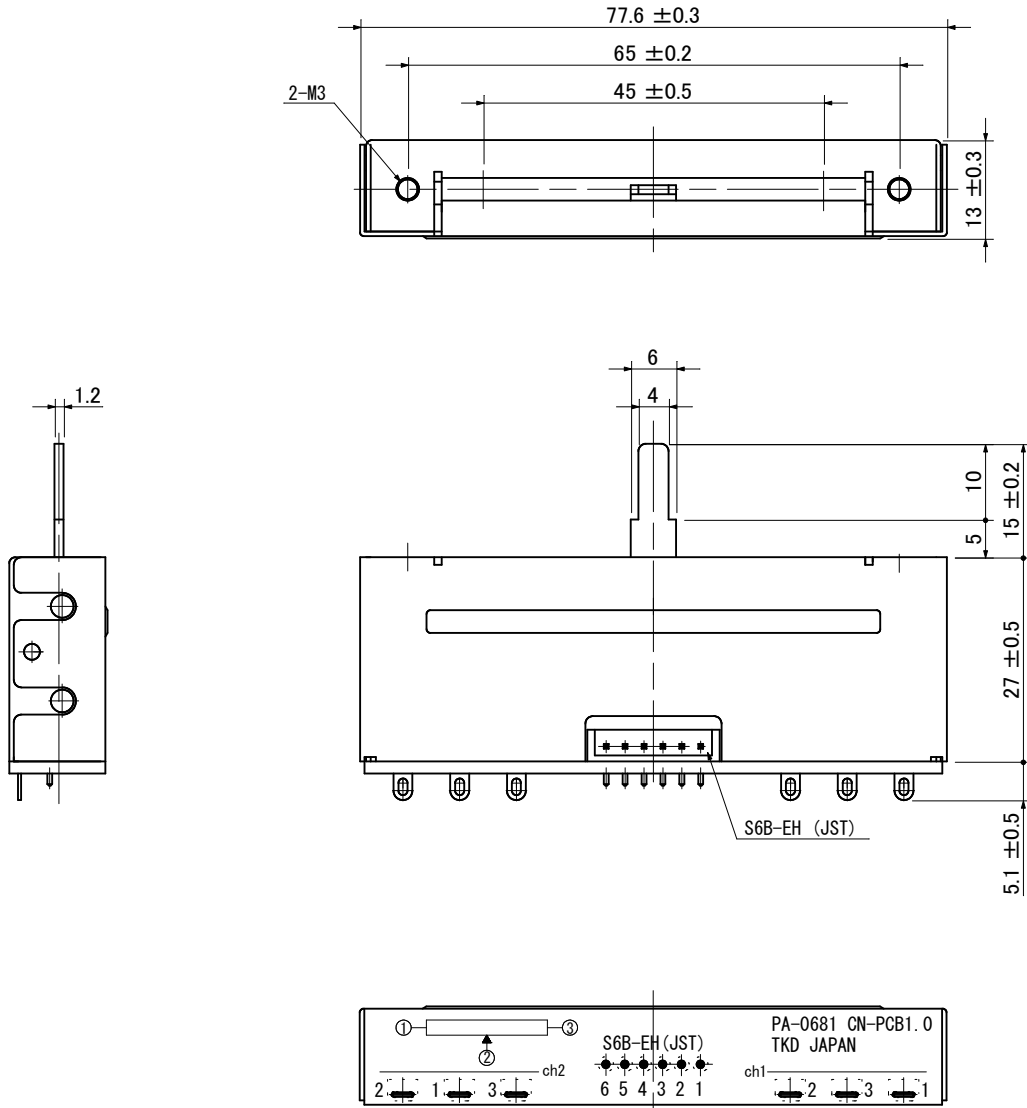
General specifications

	CFX-45L Series
Temperature range	-10 to +60 degrees C (Operating), -15 to +65 degrees C (Storage)
Relative humidity	80%RH (No condensation)

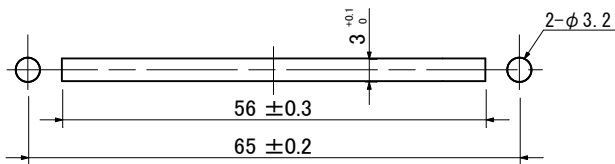
Note

* Move to one end in Control-bar on the occasion of knob wearing, and can break into it slowly.

Dimensions - CFX-45L



Panel cut out dimensions



Circuit diagram and terminations

